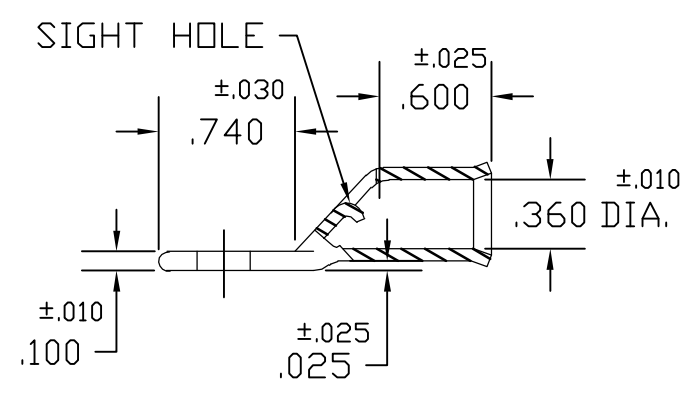
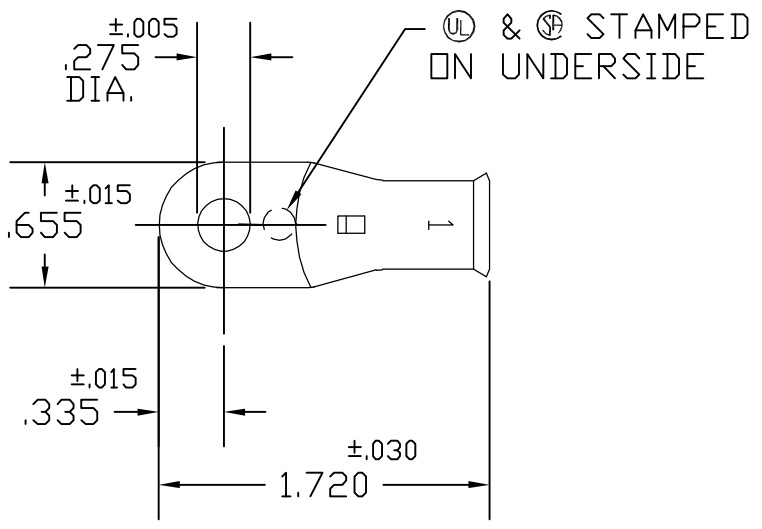


THIS DRAWING IS UNPUBLISHED. RELEASED FOR PUBLICATION
 © COPYRIGHT - BY TYCO ELECTRONICS CORPORATION. ALL RIGHTS RESERVED.

LOC	DIST	REVISIONS					
		P	LTR	DESCRIPTION	DATE	DWN	APVD
G	50		B	REV PER ECR 06-010485	03MAY06	JR	DD



ACTIVE	1141-03	STANDARD	TIN PLATE	1526438-2
OBSOLETE	1141-02	STANDARD	PLAIN	1526438-1
STATUS	AET P/N	PACKAGING	FINISH	PART NUMBER

THIS DRAWING IS A CONTROLLED DOCUMENT.		DWN D.A.A	10/26/00	Tyco Electronics Corporation Harrisburg, PA 17105-3608	
DIMENSIONS: INCHES		CHK H.D.F	10/26/00		
		APVD H.D.F	10/26/00	NAME 1 STANDARD TERMINAL W/SIGHT HOLE	
TOLERANCES UNLESS OTHERWISE SPECIFIED:		PRODUCT SPEC		-	
0 PLC ± -		APPLICATION SPEC		-	
1 PLC ± -		-		SIZE	A3
2 PLC ± -		-		CAGE CODE	00779
3 PLC ± -		-		DRAWING NO	C-1526438
4 PLC ± -		-		RESTRICTED TO	-
ANGLES ± -		-			
FINISH		WEIGHT		-	
COPPER ASTM B-152		-		CUSTOMER DRAWING	
		SCALE		1:1	
		SHEET		1 OF 1	
		REV		B	